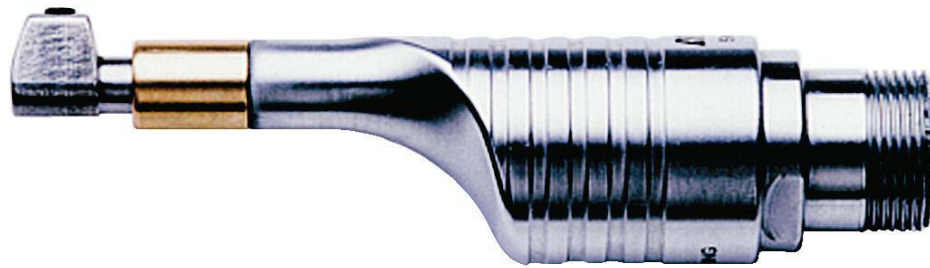


DIPROFIL[®]

FMR/E5 /E10 /E15



Mini hand-filing machine



Instruction Manual

1

List of contents



1	List of contents	Page 02
2	Tips on using the manual.....	Page 03
3	Safety instructions	Page 04
4	Warranty/Identification	Page 06
5	Operation/ Maintenance/Care.....	Page 07
6	Telefax form	Page 09

2

Tips on using the manual



This manual has been written for the device user to ensure a problem-free operation, care and maintenance.

Important instructions and information concerning safety and operational reliability have been highlighted.

The symbols used in the manual have the following meanings:

CAUTION!

Working and operating processes which must be observed to the letter to exclude any risk to persons.

IMPORTANT!

Working and operating processes which must be observed to the letter to avoid any damage to the device.

INFORMATION!

Technical information to which the device operator must give special attention.

The illustrations and diagrams are numbered in sequence within each chapter. Some of these illustrations have keys. References to illustrations within the text e. g. (5.1/2) have the following meaning:

5.1 = Figure 5.1

2 = Position 2 in the key to the figure.

Please feel free to call our customer service department at any time should you encounter technical problems which are not dealt with in this manual:

Telephone **+49 (0) 22 04 / 8 39 - 0**

Telefax **+49 (0) 22 04 / 8 39 - 60**

INFORMATION!

www.joke.de

Spare parts lists and operating manuals for our products are to be found at www.joke.de.

3

Safety instructions



IMPORTANT

This device has been built according to the latest technical standards and generally accepted safety regulations. Nevertheless, it can constitute danger to life and limb for operator or third parties and a hazard to the device itself or other equipment during use.

- (1) Only use the device if in perfect working order and for its intended purpose. You must always pay attention to the instruction manual and safety instructions therein and be aware of the risks! Repair any faults which could affect the device's safety immediately by yourself or have these repaired.

The unit is designed exclusively for grinding, milling and polishing work with the tools listed and approved in the joke catalogue „Surface Finishing“. Any other use will be deemed to be contrary to its intended purpose. The manufacturer cannot be held liable for any resulting damages. The risk is borne solely by the user.

Correct use also includes compliance with the instruction manual and an observation of the care and maintenance conditions.

CAUTION!

- (2) Keep the instruction manual handy at the device's place of use.
- (3) Pay attention to and observe generally applicable statutory and otherwise binding regulations relating to accident prevention and environmental protection in addition to the information provided in the instruction manual!

- (4) All personnel commissioned to work on or with the device must have read this instruction manual, and particularly the safety instructions chapter, before starting work. This applies especially for personnel who only work with the device occasionally.

- (5) Stop the device immediately should you notice changes to the device or its operating behaviour that are relevant to its safety. Have these remedied before restarting work.

- (6) Do not carry out any modifications, additions or conversions to the device! This also applies to the installation and adjustment of safety equipment.

IMPORTANT!

- (7) Spare parts must meet the technical requirements specified by the manufacturer. This can only be guaranteed with original joke spare parts.

3

Safety instructions



CAUTION!

- (8) Any work on/with the device may only be carried out by qualified, appropriately trained and authorised personnel. Pay attention to minimum statutory age limits!
- (9) Wear safety goggles when working with the handpiece.
- (10) Personnel undergoing training or in a general apprenticeship should only be allowed to work with the machine under the constant supervision of an experienced operator!
- (11) Restrain from any type of work that could jeopardise your safety.
- (12) The device may only be used if all protective and safety equipment is in place and in proper working order.
- (13) Do not leave the device unattended when switched on!!
- (14) Stop and secure the device immediately in the event of malfunctions! Faults must be remedied at once.

4

Warranty/identification



joke Technology warrant the correct manufacture of every joke Technology product which is delivered in accordance with the terms of contract and delivery.

This warranty does not cover damages caused by normal wear and tear, incorrect handling, negligent use, the fitting of non-original spare parts, inadequate care and/or a failure to comply with this technical manual.

IMPORTANT!

The device may only be used by appropriately trained personnel. If it is not, all warranty claims will be forfeited according to the terms of delivery.

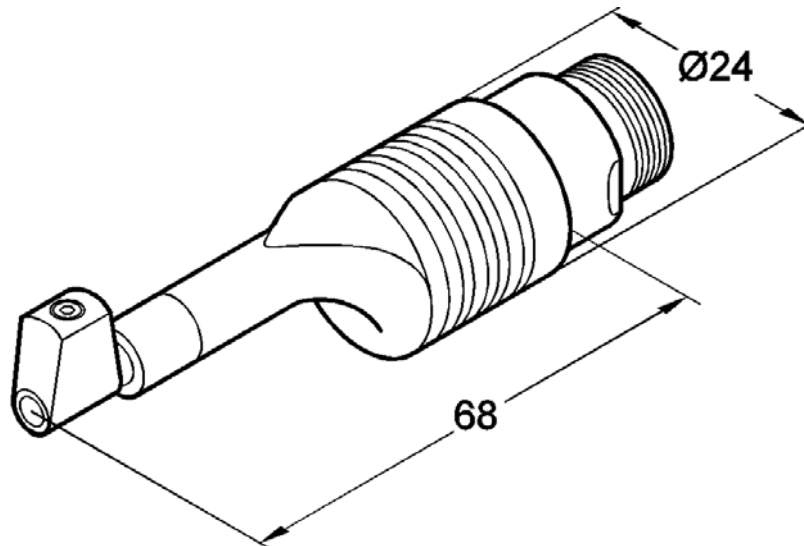
Device identification

The manufacturer's code and type code, CE label and series number can be found on the rear of the control units or in the case of the handpieces on the handle sleeve.

5

Operation/maintenance/care

Technical information for connection to the micromotor J-BM 40
for the DIPROFIL® mini hand-filing machine FMR/E 5 and FMR/E 15



DIPROFIL® mini hand-filing machine FMR/E 5

For connection to micromotor J-BM 40
for stroke length 0.5 mm, complete in case

Order no.

0 001 207

DIPROFIL® mini hand-filing machine FMR/E 10

For connection to micromotor J-BM 40
for stroke length 1.0 mm, complete in case

0 001 215

DIPROFIL® mini hand-filing machine FMR/E 15

For connection to micromotor J-BM 40
for stroke length 1.5 mm, complete in case

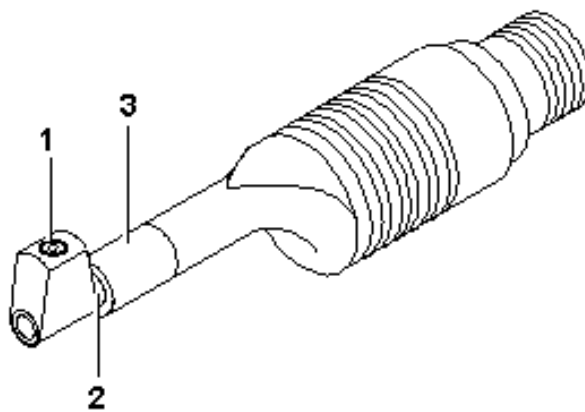
0 001 209

5

Operation/maintenance/care

Starting the DIPROFIL mini hand-filing machine FMR/E5, FMR/E10 and FMR/E15

The usable tools are clamped to the tool carrier using the hexagon socket screw.



- 1 - Locking screw
- 2 - Tool carrier
- 3 - Guide

IMPORTANT!

The maximum number of strokes should not exceed 10 000 strokes/min.

In order to cushion against the vibration stress and heating during more prolonged operation, use the rubber protection.

IMPORTANT!

The DIPROFIL® mini hand-filing machine must only be connected to the micromotor with the motor switched off!

Lubrication

The bearings in the DIPROFIL® mini hand-filing machines are encapsulated and lubricated for the entire service life.

5

Operation/maintenance/care

The tool carrier guide should be lubricated with a few drops of oil after each 5-hour period of use.

6

Telefax form



To the

☎_Y service department

+49 (0) 22 04 / 8 39 - 60

Sender:

Company _____

Name _____

Street _____

Postcode/town or city _____

Please send us the spares drawing and parts list for the following equipment:

as a printout (see above for address)

by fax, _____

as a pdf file to my email address _____

ENESKA 4 control unit	Ord.-no. 0 009 801	0
Rapid-chuck handpiece J-G 30	Ord.-no. 0 009 810	0
Handpiece J EHG 400	Ord.-no. 0 009 811	0
Angle handpiece J ERA 270	Ord.-no. 0 009 812	0
Angle handpiece EKC 300	Ord.-no. 0 009 813	0
Mini hand-filing machine N44	Ord.-no. 0 001 402	0
Mini hand-filing machine N48	Ord.-no. 0 001 403	0
DIPROFIL® mini hand-filing machine FMR/E	Ord.-no. 0 001 207	0
5		
DIPROFIL® mini hand-filing machine FMR/E	Ord.-no. 0 001 215	0
10		
DIPROFIL® mini hand-filing machine FMR/E	Ord.-no. 0 001 209	0
15		
Hand filing machine FMM 4	Ord.-no. 0 005 300	0
Transverse handpiece QH 4	Ord.-no. 0 031 801	0

Date

Signature



JOKE

Asselborner Weg 14 - 16

D-51429 Bergisch Gladbach

Telephone: +49 (0) 22 04 / 8 39-0

Telefax: +49 (0) 22 04 / 8 39-60

Internet: www.joke.de

Email: info@joke.de

Technical
modifications
reserved

© joke 12/14